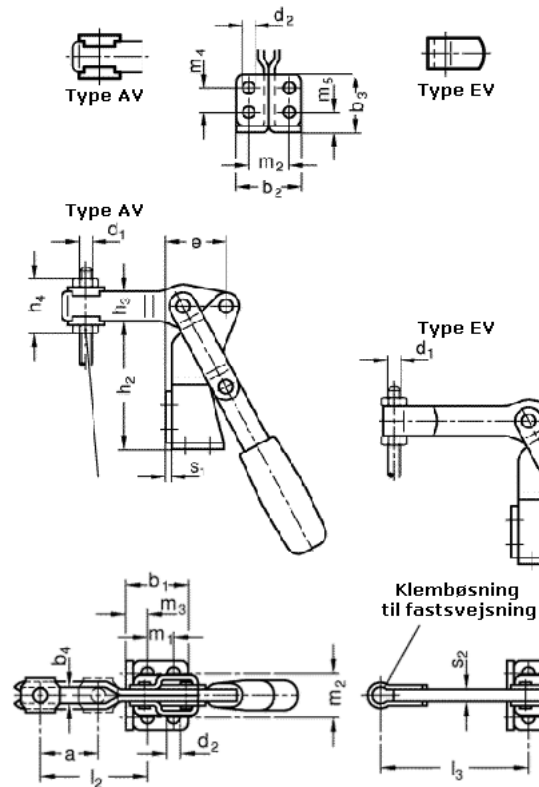


Article number: 201346059

Description: E+G Vertical clamp GN 812-200-AV

## Measures



a = 34	h1 = 154	m1 = 16	Size = 200
b1 = 35	h2 = 76	m2 = 26	
b2 = 38	h3 = 17	m3 = 11.0	
b3 = 35	h4 = 34	m4 = 16	
b4 = 8.5	Holding force N = 2000	m5 = 11	
d1 = M 8	l1 = 158	r = 96	
d2 = 6.5	l2 = 59	s1 = 3	
e = 37	l3 = 76	s2 = 6	